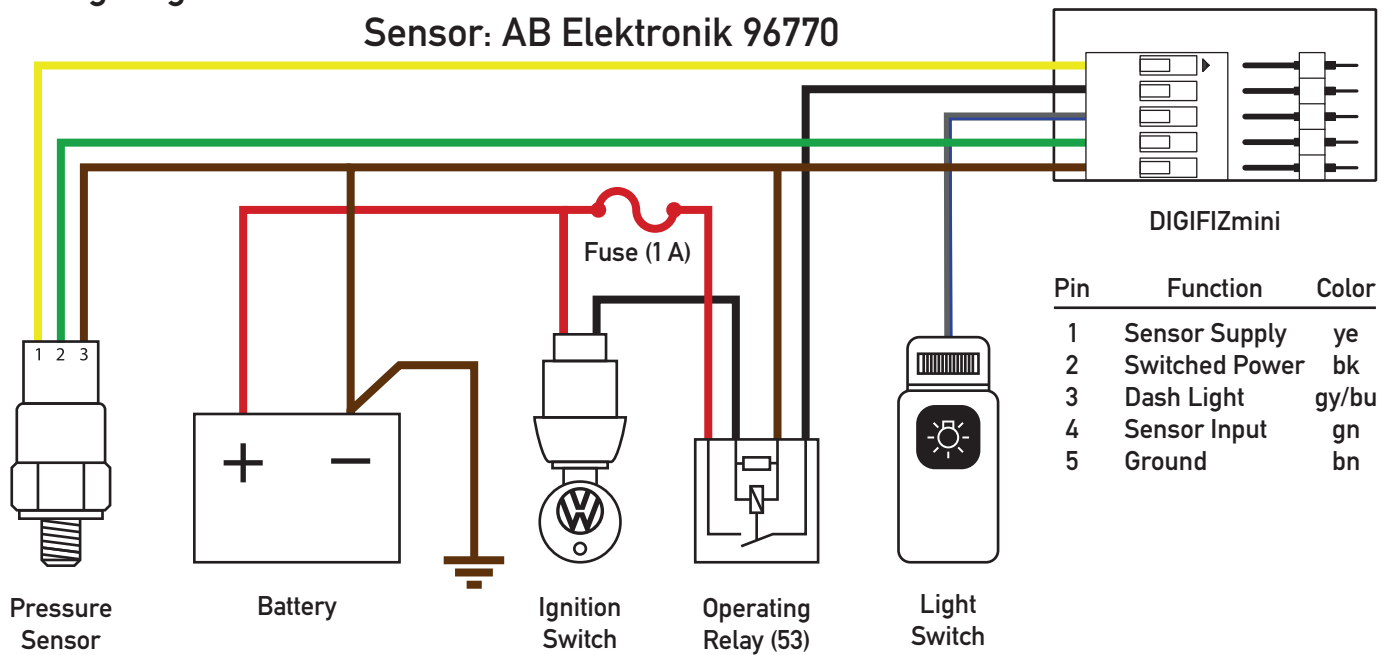


DIGIFIZmini Oil Pressure

wiring diagrams

Sensor: AB Elektronik 96770



Installation Notes:

- Installation should only be done by experienced personnel
- Disconnect the battery before doing any work to vehicle electronics
- For best accuracy connect sensor ground as close to DIGIFIZmini as possible
- One relay and one fuse are enough for up to ten DIGIFIZminis
- Crimping should always be preferred to soldering