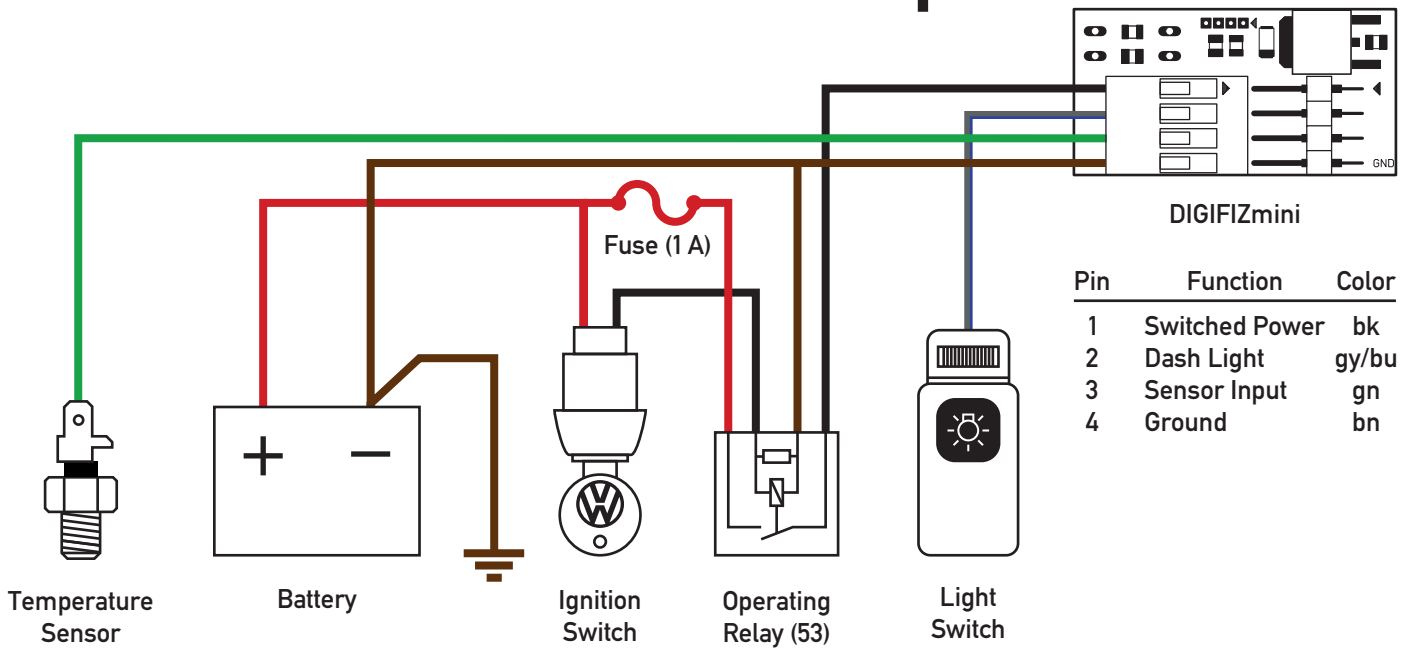


DIGIFIZmini wiring diagrams Coolant Temperature



Installation Notes:

- DIGIFIZminis are not plug and play devices
- Installation should only be done by experienced personnel
- Disconnect the battery before doing any work to vehicle electronics
- For best accuracy connect ground as close to signal source as possible
- One relay and one fuse are enough for up to ten DIGIFIZminis
- Don't connect power in reverse, it might kill your DIGIFIZmini
- Crimping wires should always be preferred to soldering
- Don't connect a DIGIFIZmini to a sensor which is also used by a different gauge
- Supported coolant temperature sensors: 027 919 501 (12V 120°C),
049 919 501 (12V 125°C)