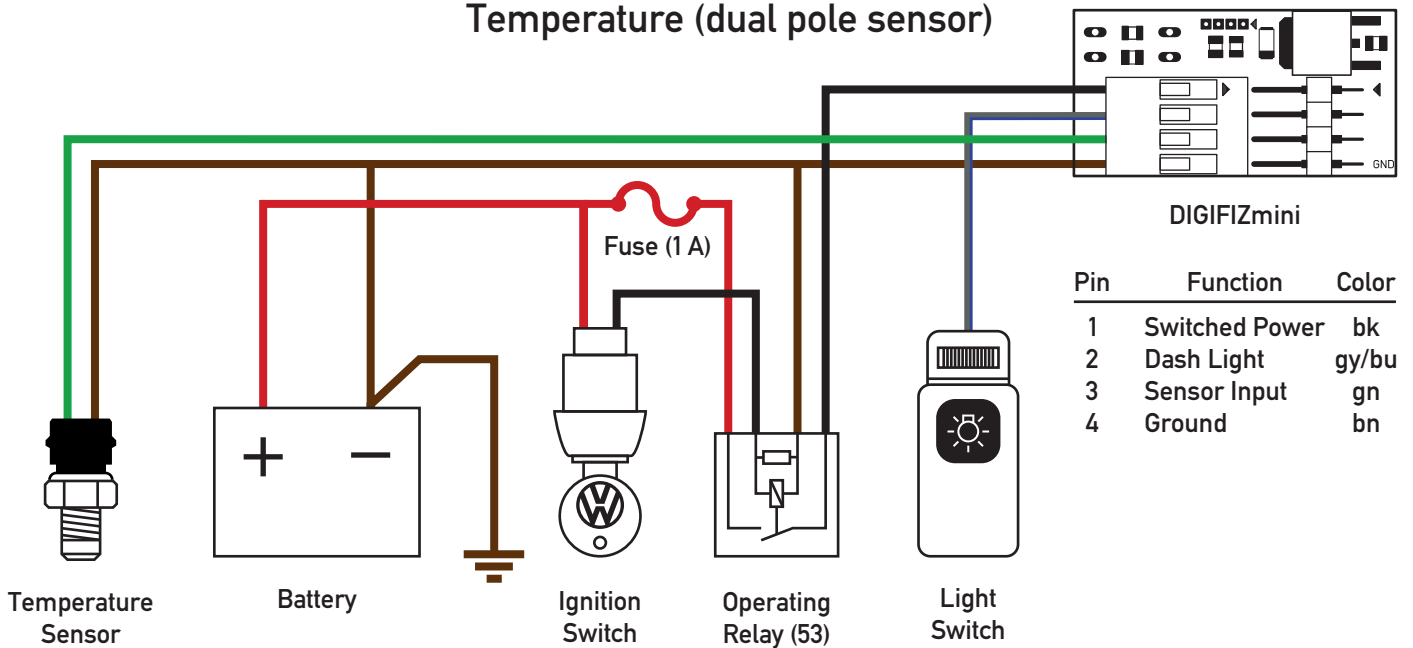


# DIGIFIZmini wiring diagrams Oil / Coolant

Temperature (dual pole sensor)



## Installation Notes:

- DIGIFIZminis are not plug and play devices
- Installation should only be done by experienced personnel
- Disconnect the battery before doing any work to vehicle electronics
- For best accuracy connect sensor ground as close to DIGIFIZmini as possible
- One relay and one fuse are enough for up to ten DIGIFIZminis
- Never connect power in reverse, it will kill your DIGIFIZmini
- Crimping wires should always be preferred to soldering
- Supported dual pole sensor: 028 919 501 C (BERU ST118)