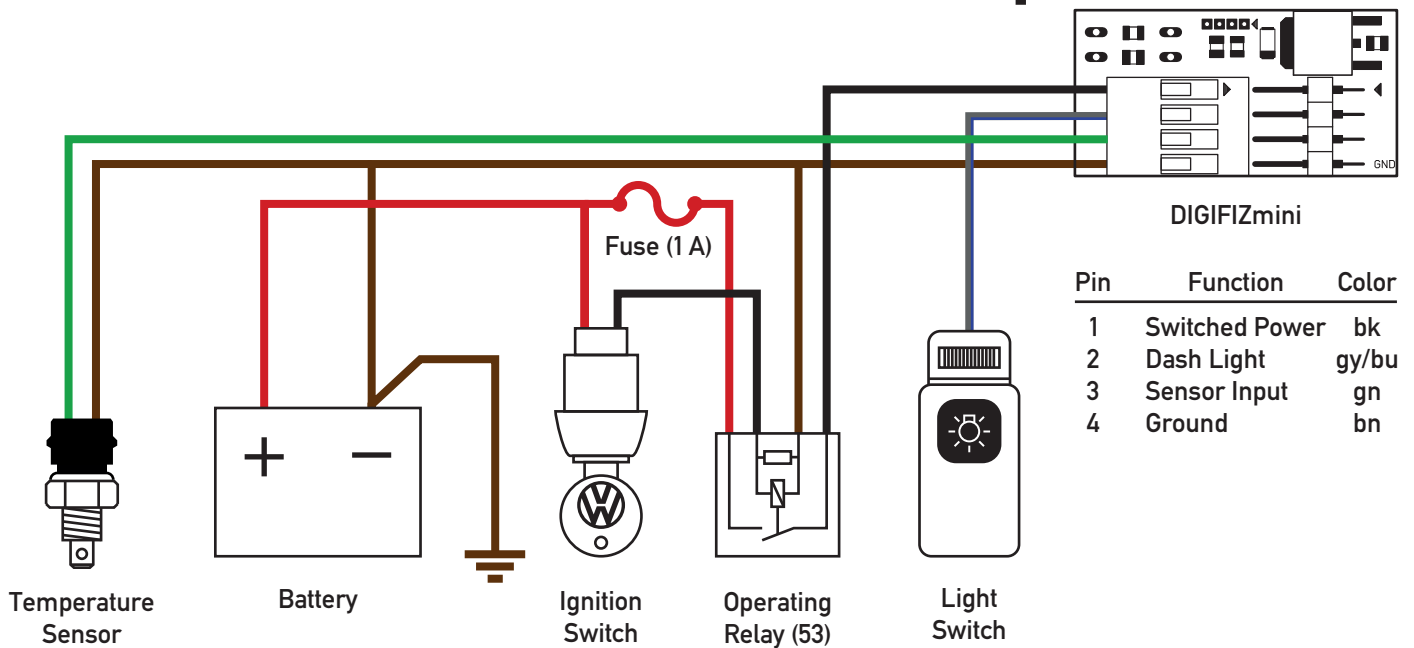


# DIGIFIZmini wiring diagrams Intake Air Temperature



## Installation Notes:

- DIGIFIZminis are not plug and play devices
- Installation should only be done by experienced personnel
- Disconnect the battery before doing any work to vehicle electronics
- For best accuracy connect sensor ground as close to DIGIFIZmini as possible
- One relay and one fuse are enough for up to ten DIGIFIZminis
- Never connect power in reverse, it will kill your DIGIFIZmini
- Crimping wires should always be preferred to soldering
- Supported air temperature sensor: 046 905 379 (BERU ST036)