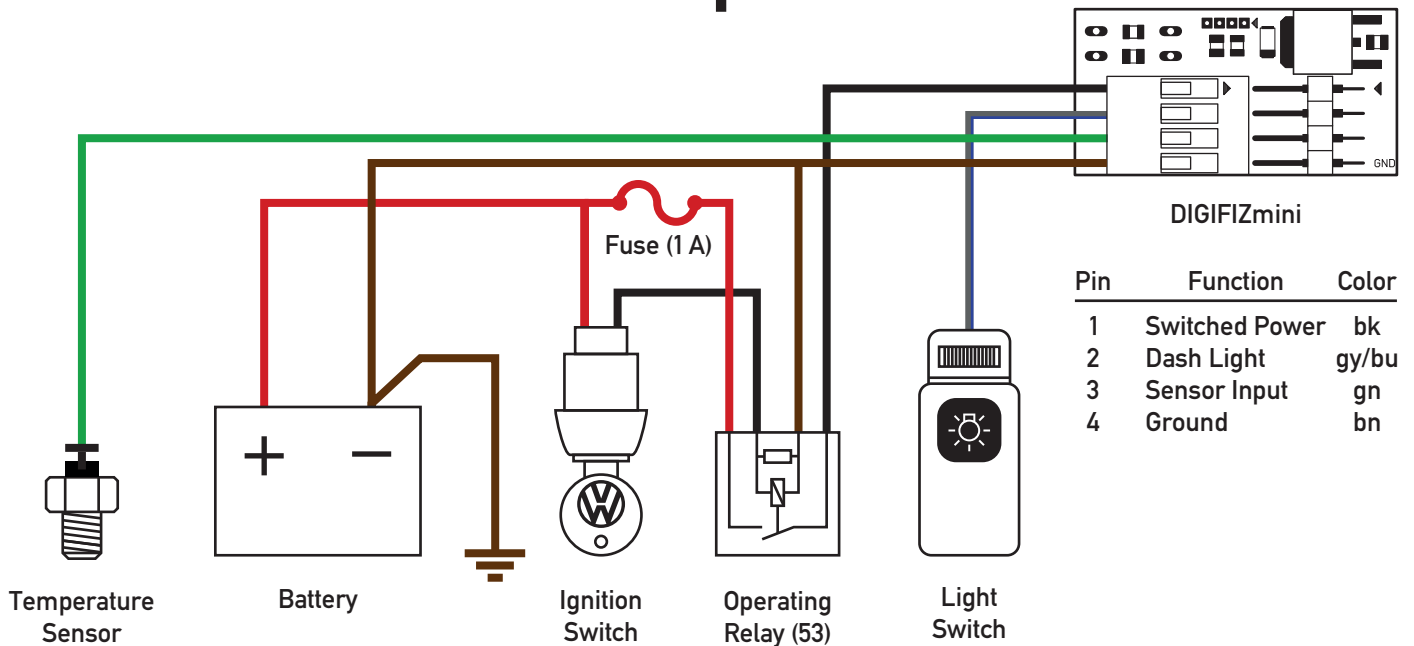


# DIGIFIZmini wiring diagrams Oil Temperature



## Installation Notes:

- Installation should only be done by experienced personnel
- Disconnect the battery before doing any work to vehicle electronics
- For best accuracy connect ground as close to signal source as possible
- One relay and one fuse are enough for up to ten DIGIFIZminis
- Crimping should always be preferred to soldering
- Don't connect a DIGIFIZmini to a sensor which is also used by a different gauge
- Supported oil temperature sensors: 049 919 563 A (12V 150°C),  
1H0 919 563 (12V 150°C)