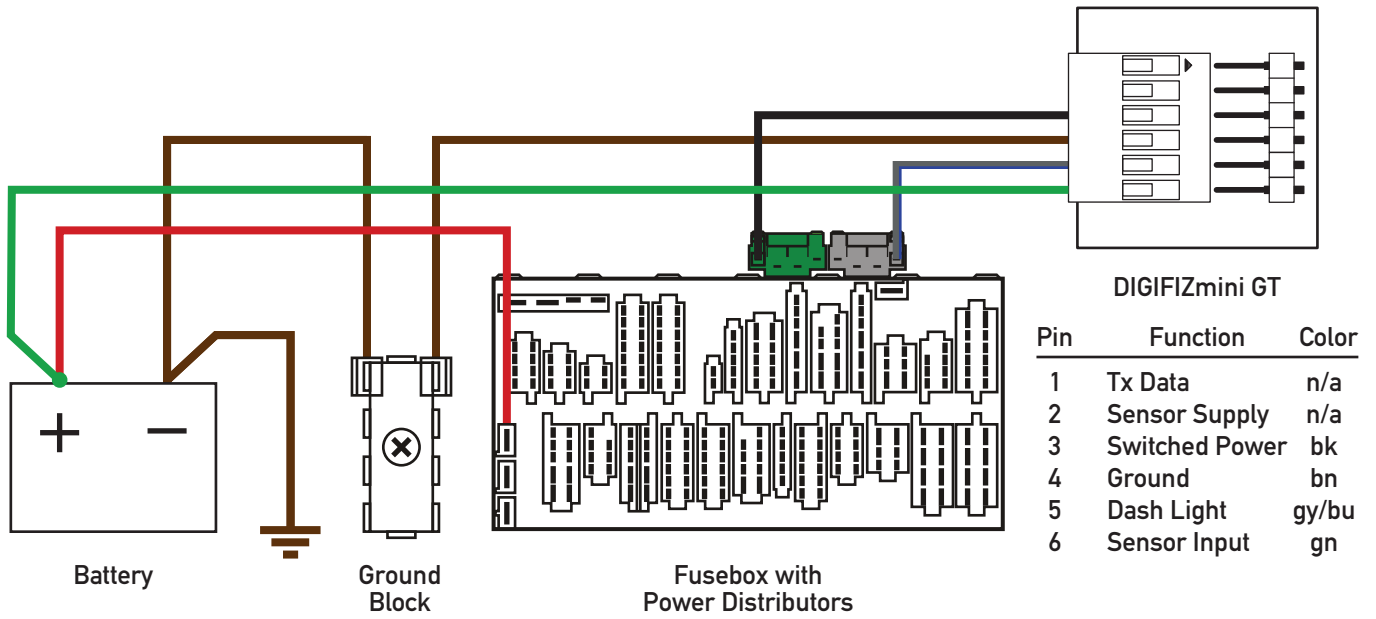


DIGIFIZmini Voltmeter

wiring diagrams



Installation Notes:

- Installation should only be done by experienced personnel
- Disconnect the battery before doing any work to vehicle electronics
- Crimping should always be preferred to soldering
- For accurate readings connect sensor input directly to the battery