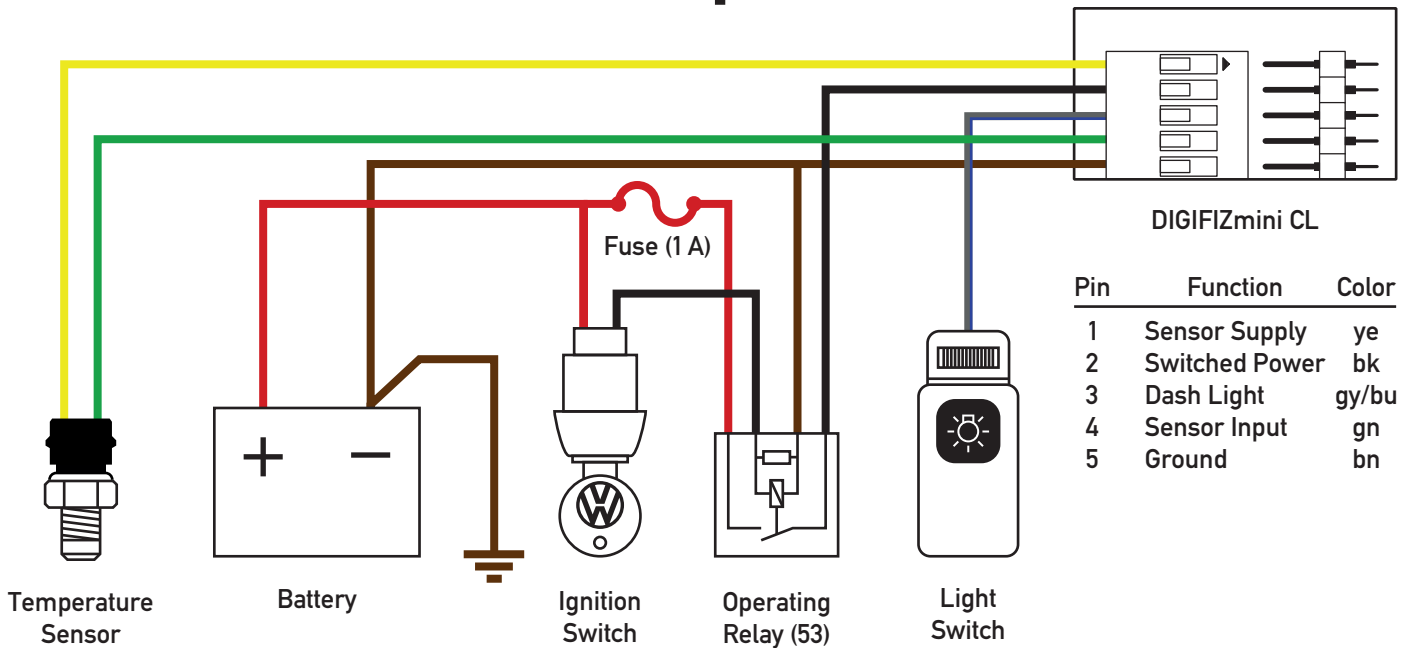


# DIGIFIZmini wiring diagrams Oil Temperature



## Installation Notes:

- Installation should only be done by experienced personnel
- Disconnect the battery before doing any work to vehicle electronics
- One relay and one fuse are enough for up to ten DIGIFIZminis
- Crimping wires should always be preferred to soldering
- Supported dual pole sensor: 028 919 501 C (BERU ST118)